

Safe T Bar Inc. - Wall to Floor Specialty Grab Bar

USA Manufactured and Packaged in Minnesota. STB grab bar products - Exceed ADA, ANSI and Federal Codes.



Material used in manufacturing the grab bar products is 304 stainless steel 18-8 chromium nickel. Tubing 18 gauge 1 1/2" OD, wall clearance is 1 1/2", include 304 stainless steel screws and individually boxed. Standard flange washer mountings are Exposed Mount, however Snap Mount Conceal and Anti Bacteria Safe T Ring Conceal are also available. All flange washer are 3" OD (outside diameter). See Mounting options for additional detail/specifications.

Tubing extends through the flange washer and is full fusion Tig (heliarc fused [Stronger] - not wire feed or filler) and welded to Military standards to form a single unit. The recessed (bossed); flanged washer keeps the weld away from installation to allow the grab bar to lay flat against the mounting surface. Flange Washer Mounting holes are true to ± 1/8".

Safe T Bar GRIP TIGHT™ NON- SLIP surface - ASSURANCE OF POSITIVE GRIPPING – It Grips you!

Safe T Bar Inc. features the exclusive “GRIP-TIGHT™” surface and is our standard finish. Grip Tight™ is permanently etched in the stainless steel bar, it's not an added material, effective against slipping when the user's hands are wet and soapy. Grip Tights™ color originates from the mechanical process to the 304 stainless steel, the surface is easy to clean, will not peel or create bacteria.

Custom sizes and finishes; Custom Bar is any alterations to our standard sizes, finishes and types of grab bars. Inquire by Contacting Safe T Bar Inc. 1 - 800 -444 - 8855

Wall to Floor Grab Bar (WF) has one 90 degree bent knuckles which offers a 30" horizontal bar out from the wall and 30" vertical bar to the floor. WF bar is used when no wall exists to install a grab bar. Requires an outrigger; either Right or Left Hand. Outrigger is 6" out to the right or left side of the bar and 12" down to the floor.

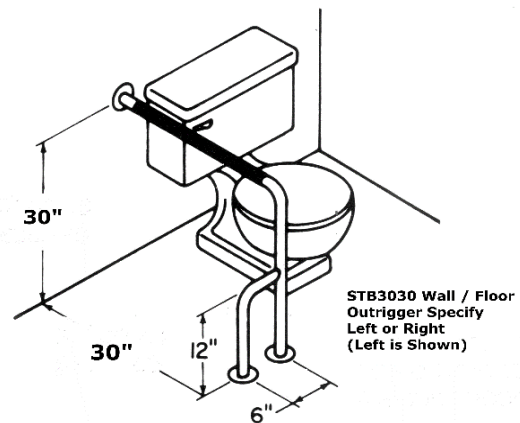
WF Grab Bar without an Outrigger - only in Concrete application- custom. Inquire by Contacting Safe T Bar Inc. Standard Size 30" x 30" Grip Tight™ finish, include stainless steel screws and individually boxed.



**Left Hand
Top View**



**Right Hand
Front View**



Product Item #	Description - on center measurement
STB3030GTR	30" x 30" WF, Grip Tight™ Right, Exposed Mount
STB3030GTRC	30" x 30" WF, Grip Tight™ Right, Anti Bacteria Safe T Ring™ Conceal
STB3030GTRSM	30" x 30" WF, Grip Tight™ Right, Snap Mount Conceal
STB3030GTL	30" x 30" WF, Grip Tight™ Left, Exposed Mount
STB3030GTLC	30" x 30" WF, Grip Tight™ Left, Anti Bacteria Safe T Ring™ Conceal
STB3030GTLSM	30" x 30" WF, Grip Tight™ Left, Snap Mount Conceal

Safe T Bar Grab Bar products are rigorously inspected to ensure safety and quality of our products. Each Grab Bar product is individually handled and inspected a minimum of 14 point step inspections.

Thank you for the opportunity of providing you with Safe T Bar Inc. products, improving independence and safety.